

IBS-Lilon180

12V 180Ah LiFePO4 Battery



CHARGE SPECIFICATIONS

Recommended Charge Current	40A-90A
Maximum Charge Current	100A
Charge Current (-20 to -10 °C)	≤0.05C
Recommended Charge Voltage	14.2V - 14.6V
BMS Charge Voltage Cut-Off	15V (3.85±0.025vpc, 1~1.5s)
Reconnect Voltage	15V (3.75±0.05vpc)

DISCHARGE SPECIFICATIONS

Maximum Continuous Discharge Current	160A
Peak Discharge Current	320A/5s
BMS Discharge Current Cut-Off	400A/9ms
Recommended Low Voltage Disconnect	10V
BMS Discharge Voltage Cut-Off	8V (2.0±0.05vpc, 120~180ms)
Reconnect Voltage	9.2V (2.3±0.1vpc)

TEMPERATURE SPECIFICATIONS

Discharge Temperature	-20 to 60°C (-4 to 140 °F)
Charge Temperature	0 to 45°C (32 to 113 °F)
Storage Temperature (1month)	-20 to 60°C (-4 to 140 °F)
Storage Temperature (3months)	-20 to 45°C (-4 to 113 °F)
Storage Temperature (6months)	-20 to 25°C (-4 to 77 °F)

SPEC-IBS-Lilon180_e

ELECTRICAL SPECIFICATIONS

Model	IBS-LiIon180
Nominal Voltage	12.8V
Nominal Capacity	180Ah
Energy	2304Wh
Self Discharge	<3%/month
Series or Parallel Connection	4pcs in series or parallel

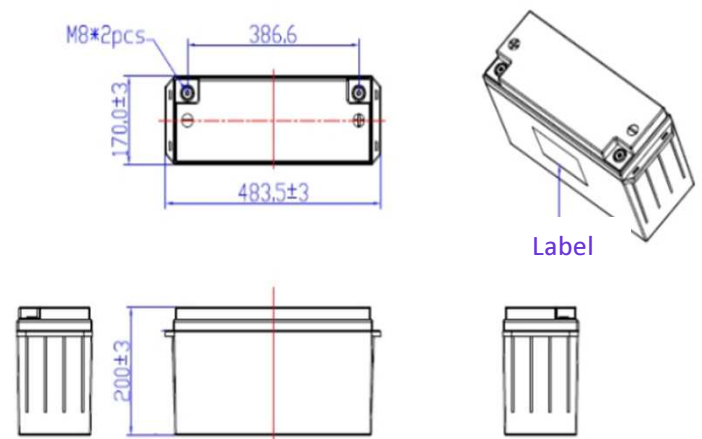
MECHANICAL SPECIFICATIONS

Dimensions (L x W x H)	485x170x220mm
Weight	23.7kg
Terminal Type	M8
Case Material	ABS
Enclosure Protection	IP56
Cell Type - Chemistry	Cylindrical
Chemistry	LiFePO4

COMPLIANCE SPECIFICATIONS

Certifications	CE, UN38.3, MSDS
Shipping Classification	UN3480, Class 9

DIMENSION SPECIFICATION



IBS-Lilon180

12V 180Ah LiFePO4 Battery

PERFORMANCE CHARACTERISTICS

