

## IBS-LiIon100ABT Arctic/Bluetooth

## 12V 102Ah LiFePO4 Battery



### CHARGE SPECIFICATIONS

Recommended Charge Current	20A-50A
Maximum Charge Current	100A
Recommended Charge Voltage	14.2V - 14.6V
BMS Charge Voltage Cut-Off	15.4V (3.85±0.025vpc, 1~1.5s)
Reconnect Voltage	15.2V (3.75±0.05vpc)

### DISCHARGE SPECIFICATIONS

Maximum Continuous Discharge Current	150A
Peak Discharge Current	320A/5s
BMS Discharge Current Cut-Off	400A/9ms
Recommended Low Voltage Disconnect	10V
BMS Discharge Voltage Cut-Off	8V (2.0±0.05vpc, 120~180ms)
Reconnect Voltage	9.2V (2.3±0.1vpc)

### TEMPERATURE SPECIFICATIONS

Discharge Temperature	-35 to 60 °C (31 to 140 °F)
Charge Temperature	-35 to 45 °C (31 to 113 °F)
Storage Temperature (1month)	-20 to 60 °C (-4 to 140 °F)
Storage Temperature (3months)	-20 to 45 °C (-4 to 113 °F)
Storage Temperature (6months)	-20 to 25 °C (-4 to 77 °F)

### ELECTRICAL SPECIFICATIONS

Model	IBS-LiIon100ABT
Nominal Voltage	12.8V
Nominal Capacity	102Ah
Energy	1,305.6Wh
Self Discharge	<3%/month
Series or Parallel Connection	4pcs in series or parallel

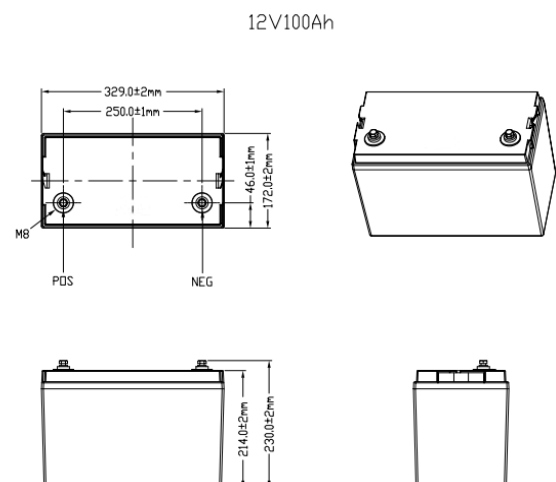
### MECHANICAL SPECIFICATIONS

Dimensions (L x W x H)	329x172x214mm (13x6.8x8.4")
Weight	14.5kg (32lbs)
Terminal Type	M8
Case Material	ABS
Enclosure Protection	IP56
Cell Type - Chemistry	Cylindrical
Chemistry	LiFePO4

### COMPLIANCE SPECIFICATIONS

Certifications	CE, UN38.3, MSDS
Shipping Classification	UN3480, Class 9

### DIMENSION SPECIFICATION



**IBS-Lilon100BT Arctic Edition**

**12V 102Ah LiFePO4 Battery**

**PERFORMANCE CHARACTERISTICS**

